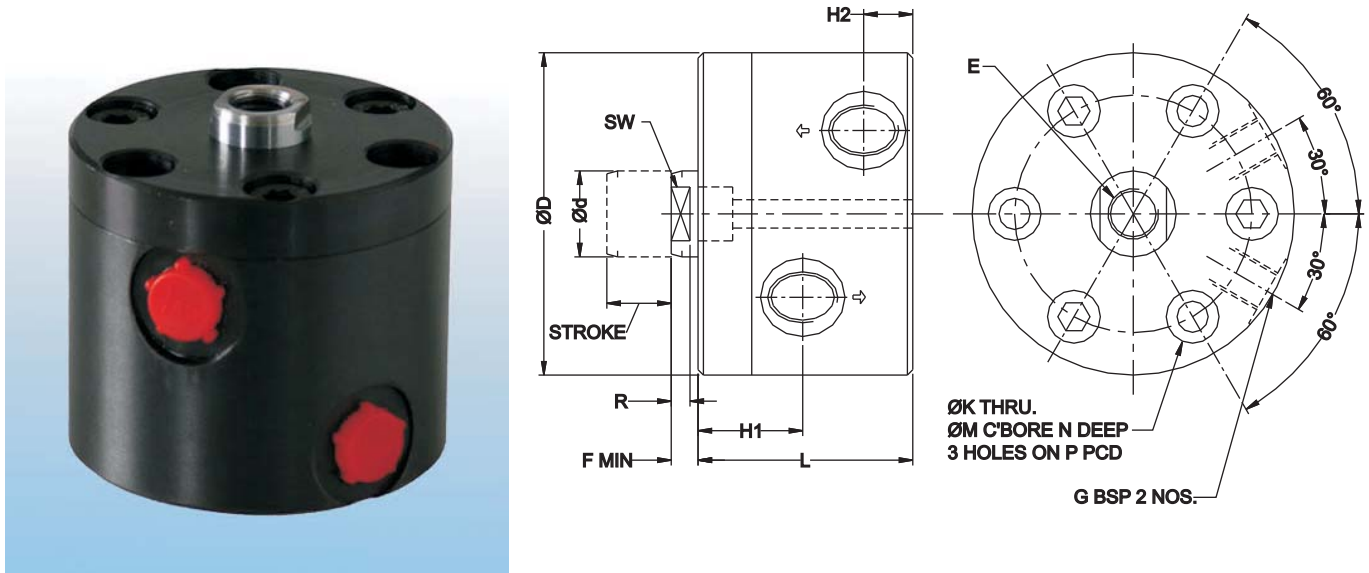
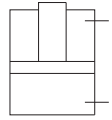




Compact Cylinder double acting, single rod end



Description

Compact cylinders are solid piston, double acting. Cylinders are very compact in the axial direction.

Advantages

These cylinders are used where height is a constraint. Mounting of the cylinder is very easy.

Specifications

- ◆ Maximum operating pressure - 150 bar.
- ◆ Double rod end cylinders can be available on request.

Note

- ◆ Due to compact design, port thread depth is short. Reduce the standard connector thread length to suit the port depth.
- ◆ For ordering the seal kit, add the prefix "S" to the part number.

FORCE PUSH §	4.7 kN	12 kN	19 kN	29 kN
FORCE PULL §	3 kN	9 kN	14 kN	22 kN
ØBORE	20	32	40	50
E	M 6x10deep	M10x18deep	M12x20deep	M16x25deep
F	5	5	6	6
d	12	16	20	25
D	45	65	76	95
G	1/8"	1/8"	1/4"	1/4"
SW	10	14	17	22
H1	15	17	22	26
H2	9	9	12	12
R	3.5	3.5	4	4
K	4.5	6.6	9	11
M	8	11	14	17.5
N	4.4	6.5	8.6	10.8
P	35	50	60	75
PART NO.	2710100	2720100	2730100	2740100
STROKE±1	10	10	10	10
L	36	42	50	56
OIL VOL push	3 cc	8 cc	13 cc	20 cc
OIL VOL pull	2 cc	6 cc	10 cc	15 cc
WEIGHT	0.5 kg	1 kg	1.5 kg	2 kg
PART NO.	2710200	2720200	2730200	2740200
STROKE±1	25	25	25	25
L	51	57	65	71
OIL VOL push	8 cc	20 cc	31 cc	49 cc
OIL VOL pull	5 cc	15 cc	24 cc	37 cc
WEIGHT	0.6 kg	1.5 kg	2 kg	3.5 kg

§ Force is specified at 150 bar.

Application example

