



Hydraulic Rotary Couplings Single & four passages

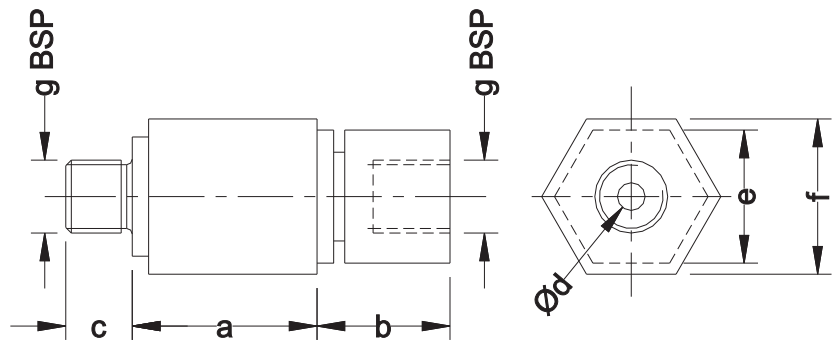
Description

Rotary couplings supply the pressure oil to rotating and swivelling installations. They are mounted in the center of rotation of the installations

Operating Conditions

When selecting, operating pressure and speed have to be taken in account. Use servo 68 grade or equivalent oil. The rotary coupling has to be connected to all levels to ensure sufficient lubrication of the seals.

Single Passage Coupling



Specifications

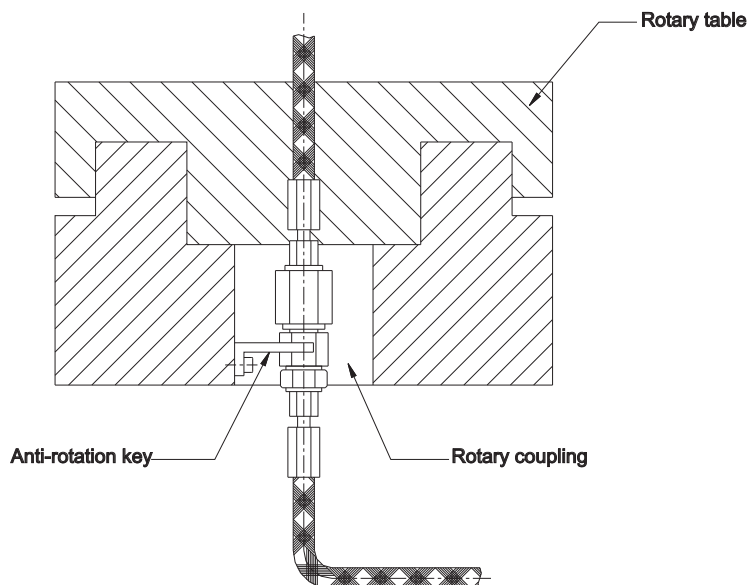
- ◆ Operating Speed 20RPM in unpressurised mode
- ◆ Maximum Operating pressure 250bar

Note

- ◆ This coupling is suitable for rotary indexing table rotating at low speed (5 RPM in pressurised mode)

PART NO.	4500045	4500047
a	33.4	36.4
b	24	24
c	12	12
d	5	10
e	24	24
f	28	32
g	1/4"	3/8"

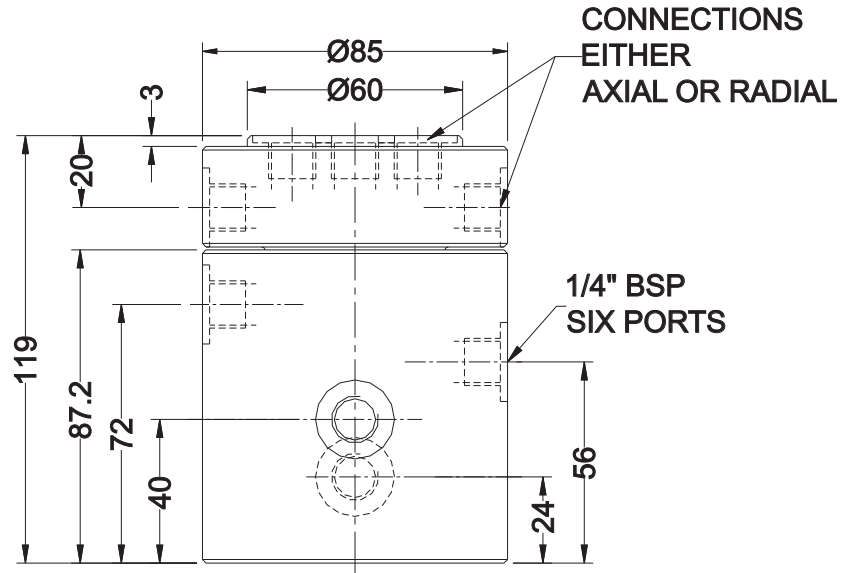
Application example



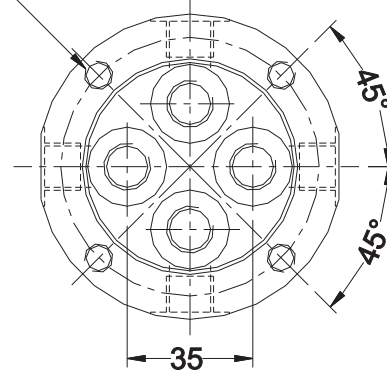


Part No. 4500109

Four passage rotary coupling



FOUR M8 X 10 DEEP 4 MOUNTING HOLES ON 72 PCD



Specifications

- ◆ Operating Speed 20RPM in unpressurised mode
- ◆ Maximum Operating pressure 250bar

Note

- ◆ This coupling is suitable for rotary indexing table rotating at low speed (5 RPM in pressurised mode)

Application example

