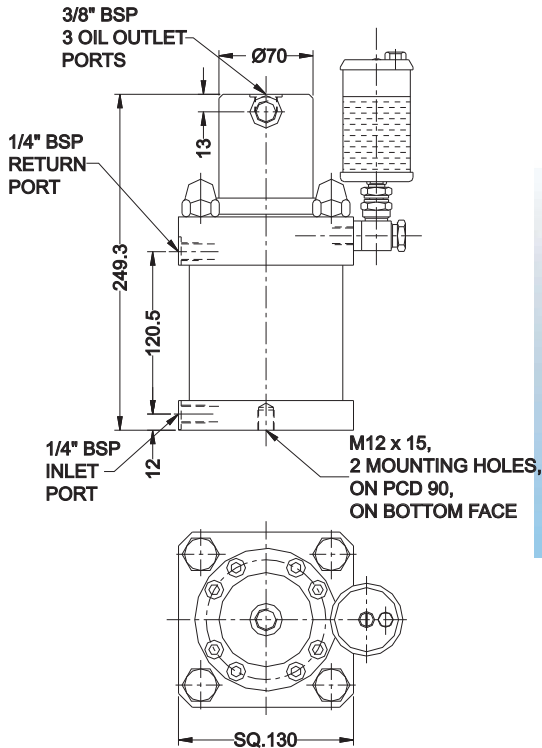




Oil Intensifier double acting



Oil intensifier is used to boost the low pressure output of a hydraulic power unit. The high pressure output of the intensifier is used for clamping cylinders and work supports.

Principle

Oil intensifier works on the same principle as that of a hydropneumatic double acting intensifier. The power source is low pressure oil instead of pneumatic power.

Advantages

Oil intensifier gives a high pressure output without the oil heating problem. It uses low pressure oil as the power source and achieves intensification by static pressure conversion.

Versions

Two models are available with intensification ratios 4 and 6.

If the oil output of an intensifier is sufficient for clamping- elements, the circuit as shown in fig. 1 can be used.

If the oil requirement of clamping-elements is more than the output of an intensifier, then the prefill circuit can be used as shown in fig. 2. By removing the make-up oil bottle, the same port is used for prefilling.

Leakage compensation

For fig. no. 1, make-up oil bottle works in the same way as in hydropneumatic intensifier.

For fig. no. 2, prefilling circuit takes care of the leakage compensation, and hence the make-up oil bottle is not required.

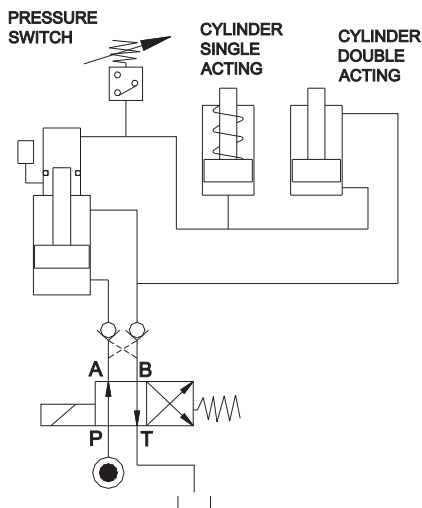
Note

- ◆ For bleeding & troubleshooting please refer page no 2.7
- ◆ For ordering the seal kit, add the prefix "S" to the part number.

PART NO.	INTENSIFICATION RATIO	OIL OUTPUT	WEIGHT
1310300	1:4	100 cc	14 kg
1320300	1:6	60 cc	13.5 kg

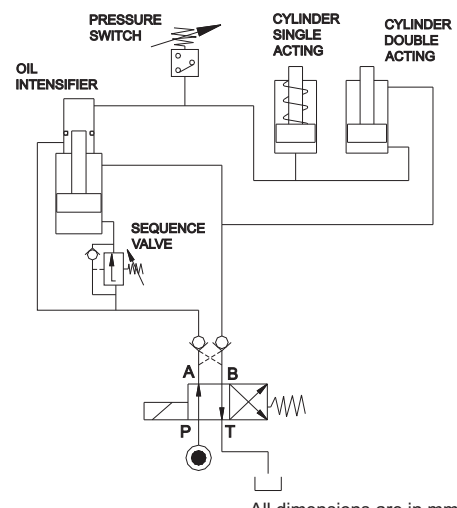
Maximum oil inlet pressure 40 bar

Figure 1 Make-up oil bottle circuit



Subject to change for improvement

Figure 2 Prefilling circuit



All dimensions are in mm
Overall dimension tolerance ± 0.5 mm